

AquaPress

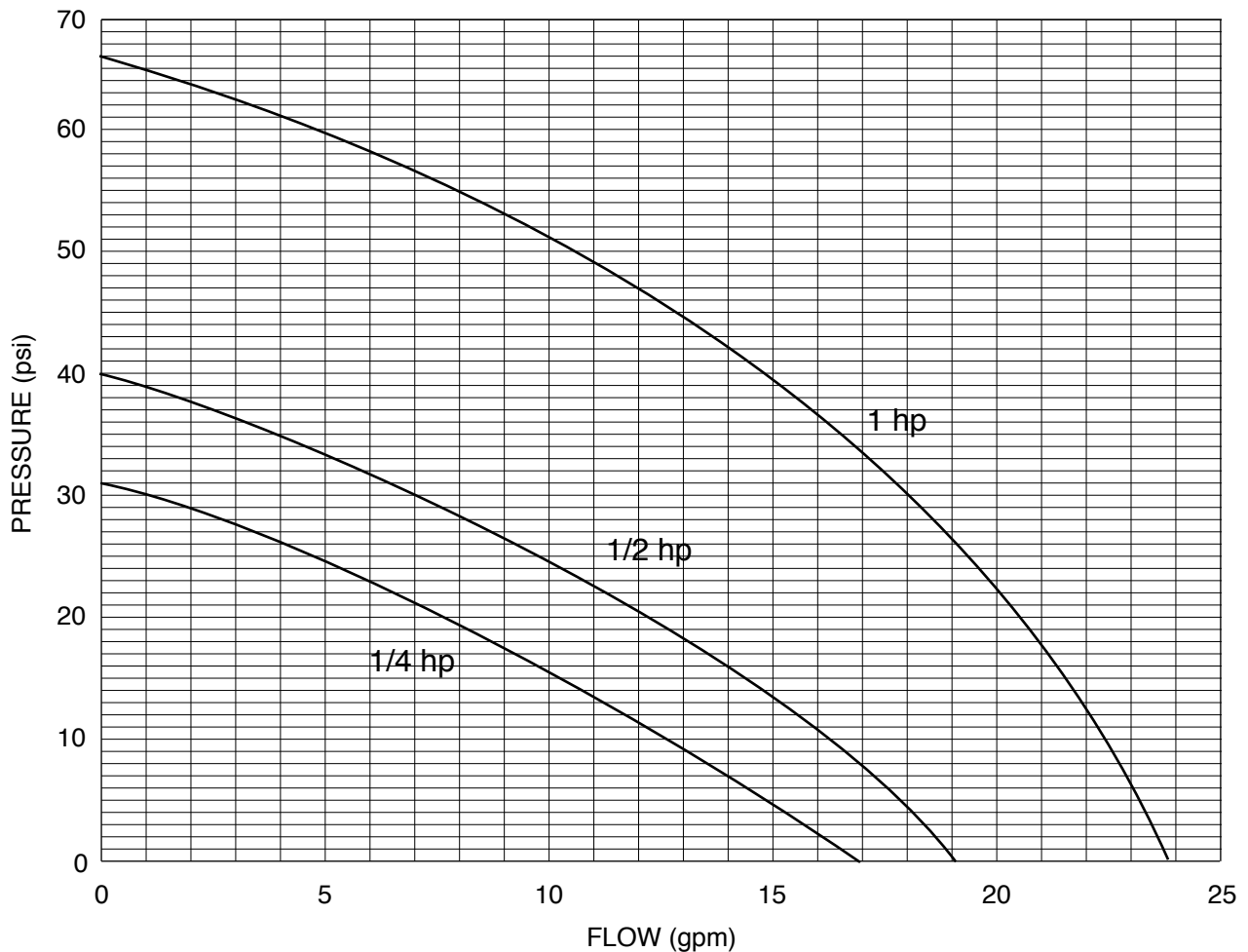
AquaPress pumps are compact, fully automatic surface pumps with internal controls that start and stop water flow in response to demand without the need for external pressure switches or flow sensing devices. The internal controls also stop the pump when dry running is detected, and then periodically attempt to re-start until water pressure is restored. A small internal pressure tank prevents pump cycling from minor leaks or drips.

Three versions are available: 1/4 hp or 1/2 hp to operate a hose or small landscape irrigation system, and 1hp for larger irrigation or whole-house systems. All are self priming and are suitable for use with both surface and underground water storage tanks provided they are installed in a well-ventilated location that is sheltered from rain and protected from flooding.

Standard features include stainless-steel shafts, ceramic/carbon mechanical seals, and 6 ft power cords. Sound levels are very low.

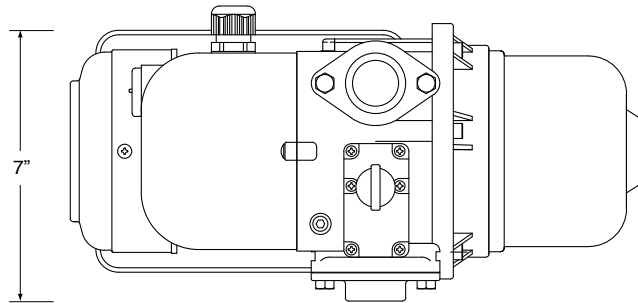


HYDRAULIC PERFORMANCE

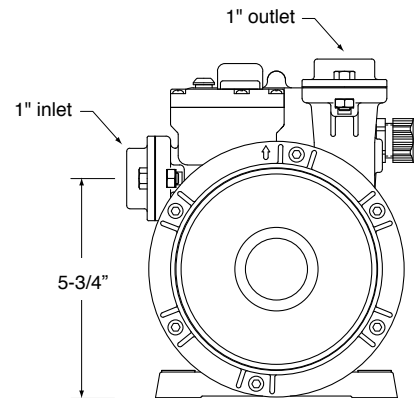
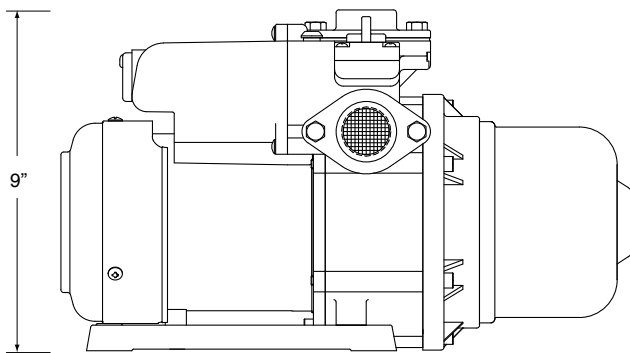


PHYSICAL AND ELECTRICAL CHARACTERISTICS

Model	Power	Voltage	Current	Inlet	Outlet	LxWxH	Weight
AquaPress-25	1/4 hp	120v	4 a	1" fpt	1" fpt	14x6x9	16 lb
AquaPress-50	1/2 hp	120v	6 a	1" fpt	1" fpt	15x6x9	20 lb
AquaPress-100	1 hp	120v	11 a	1" fpt	1" fpt	18x6x9	26 lb



AquaPress



INSTALLATION AND OPERATION

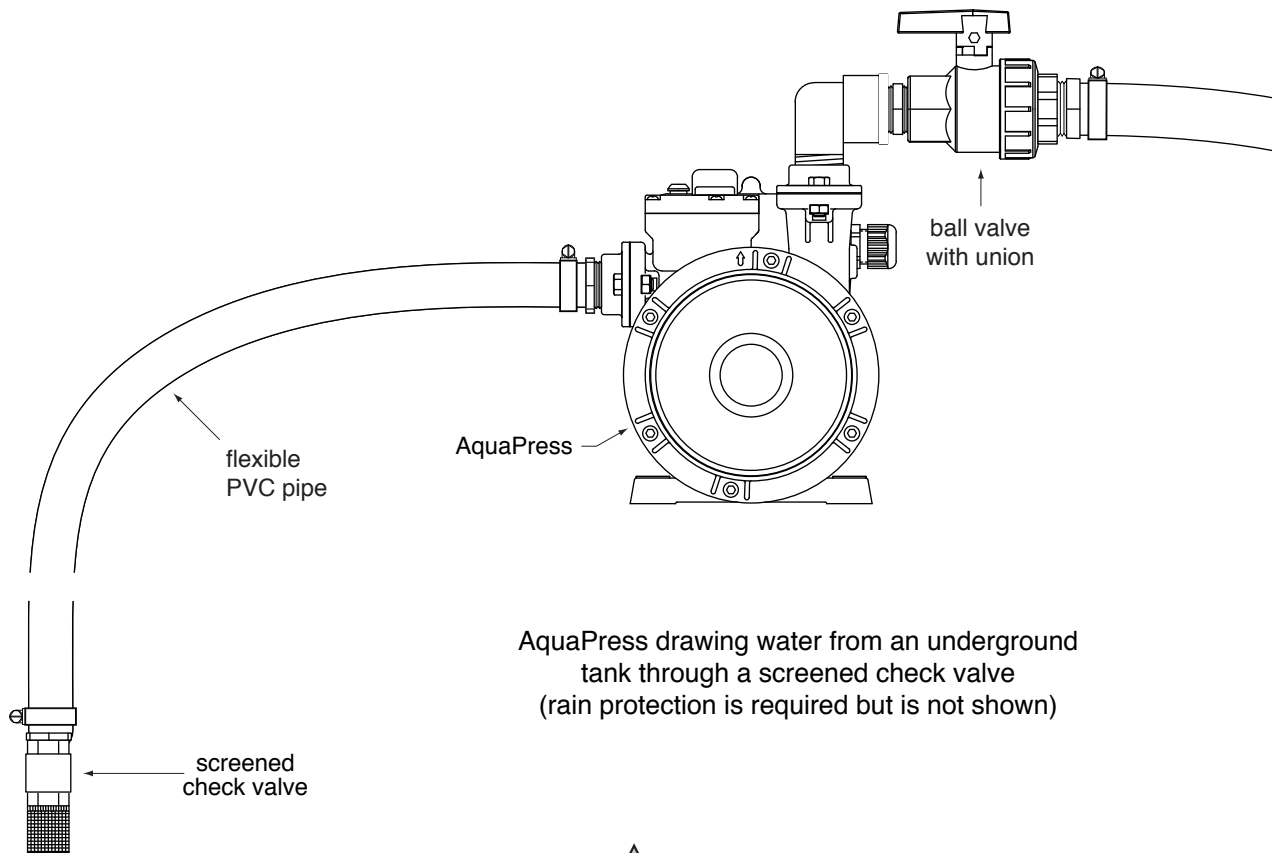
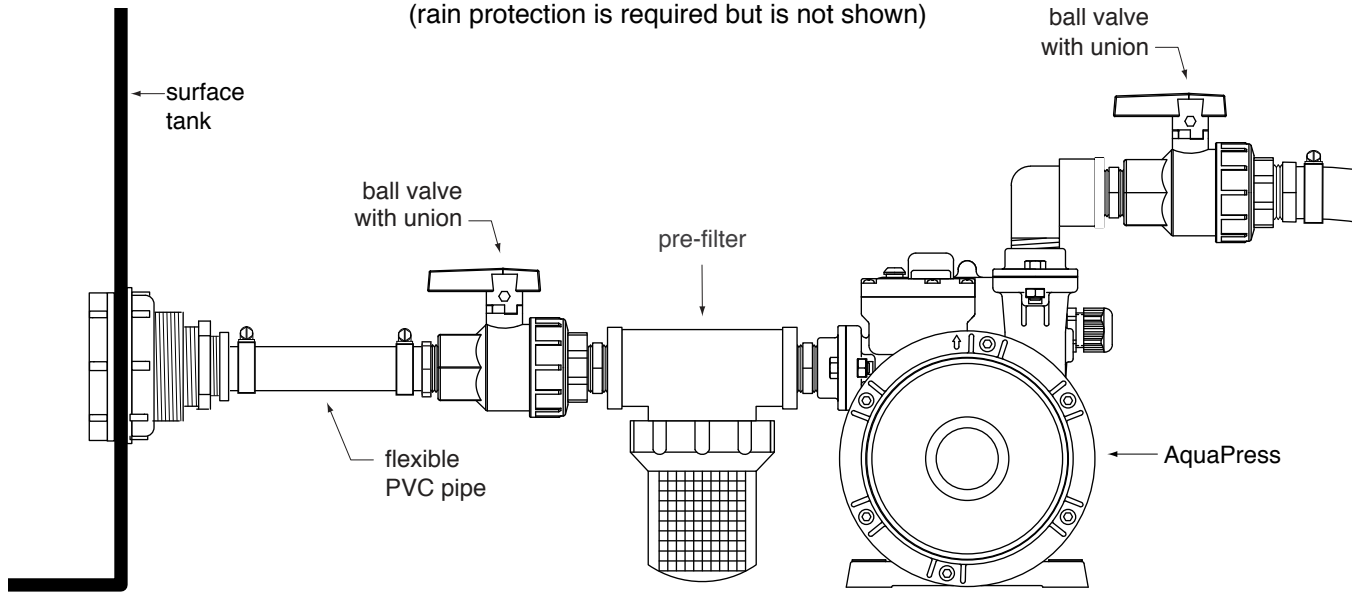
AquaPress pumps are not waterproof and must be installed in a permanently dry, well-vented location that will not flood. Unions or other disconnect fittings are recommended to simplify pump maintenance.

AquaPress pumps are designed to be used with clean water, free of solids and abrasives, with a maximum temperature of 40°C (104°F). Cistern receiving surface water, or hybrid cisterns using gravel fill exposed to the stored water, can have high levels of abrasive grit which can shorten impeller life.

AquaPress pumps are self-priming when the total inlet head is less than 25 feet. In suction lift installation, such as with underground tanks, a screened check valve is necessary at the end of the intake line and the intake line must run only horizontal or upward until reaching the pump. In flooded suction installations, such as with surface tanks having bottom outlets, a screened pre-filter is necessary in the intake line and a shutoff valve must be provided to facilitate filter cleaning. A complete set of all components required for proper installation is included with the optional *AquaPress Surface Tank Installation Kit* or the *AquaPress Underground Tank Installation Kit*.

When first connected to electrical power, the AquaPress will attempt to prime for thirty seconds. If this is unsuccessful, priming will be repeated three more times separated by short delays. If there is still insufficient flow, priming will be attempted after one hour, then after five hours, and then after every twenty-four hours. During operation, if the pump cannot maintain sufficient flow for more than forty seconds, the pump will follow the priming program. When used in a rainwater harvesting system, the pump will continue to prime until the next rain event.

AquaPress drawing water from a surface tank through a screened pre-filter (rain protection is required but is not shown)



AquaPress drawing water from an underground tank through a screened check valve (rain protection is required but is not shown)