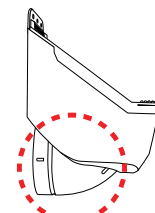
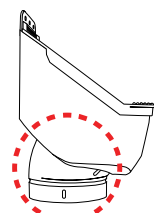




Products: Leaf Eater Advanced



Horizontal Position



Vertical Position

The Next Generation in Rain Heads.

Product Description

Keeps your Rain Harvesting system free of mosquitoes, vermin and debris.

The Leaf Eater Advanced™ is the next generation Rain Head, featuring the new Clean Shield™ (single screen) technology and VH Pivot™ outlet. The Leaf Eater Advanced™ Rain Head prevents debris from entering the Rain Harvesting system, improves water quality and reduces tank/cistern maintenance. The single screen incorporates Clean Shield™ technology which deflects leaves and debris away from the flow of water. This minimises maintenance and enhances catchment efficiency. This Rain Head incorporates a VH Pivot™ outlet that swivels to suit vertical or horizontal downspouts. The Leaf Eater Advanced™ can also be used as a debris removing device even when rainwater is not being collected.

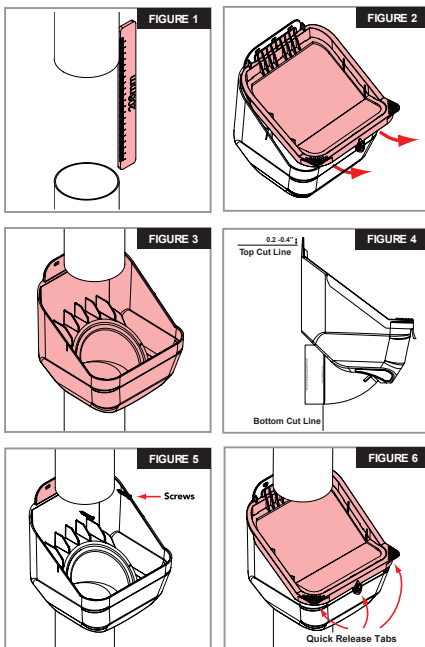
Features and Benefits

- Compact, versatile rain head for quick and easy installation
- Single screen technology for advanced debris shedding (Clean Shield™)
- Minimal maintenance
- Superior catchment efficiency at low and high flow rates
- Pivot the outlet to suit vertical or horizontal (rear outlet) downspouts (VH Pivot™)
- High flow rate performance
- Single screen with 0.955mm aperture mosquito proof stainless steel mesh
- Include adaptor for secure connection to downspout

Installation

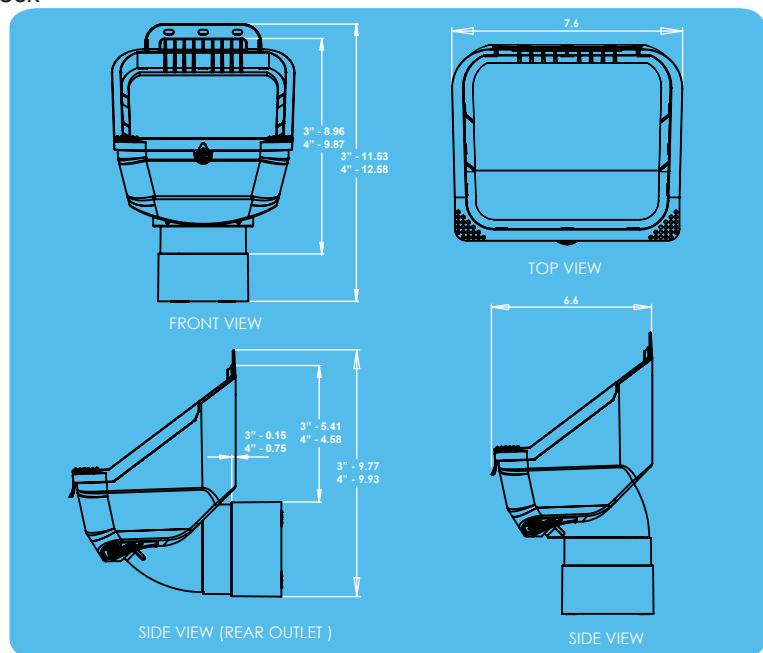
Gutter & Mid-Mount Installation

1. Gutter: Measure 10 ½" from the bottom of the existing gutter pop and remove this section of downspout. Ensure the cut edge is clean and smooth. Mid-Mount: Remove 10 ½" of downspout where the Leaf Eater Advanced™ is to be situated. Ensure all cut edges are clean and smooth. (figure 1)
2. Using the quick release tabs remove the Clean Shield™ screen by lifting it up and then out. (figure 2)
3. Insert the Leaf Eater Advanced™ by sliding it up over the cut section and then down into position. The Leaf Eater Advanced™ outlet should be slid firmly onto the bottom downspout until it can be pushed no further. (figure 3)
4. Screw the Leaf Eater Advanced™ into position through the screw slots provided. Ensure appropriate screws and anchors (if required) are used. (figure 5)
5. Insert the Clean Shield™ screen into the Leaf Eater Advanced™. Ensure the Clean Shield™ screen is sitting firmly in place and check installation is secure. (figure 6)



Horizontal (Rear Outlet) Installation

1. Using the quick release tabs remove the Clean Shield™ screen by lifting it up and then out. (Figure 2)
2. Swivel the outlet to the horizontal position – some force may be required.
3. Position the Leaf Eater Advanced™ next to existing pipework, mark and cut top and bottom cut lines as per figure 4 . Ensure the cut edge is clean and smooth.
4. Insert the Leaf Eater Advanced™ by sliding the rear outlet into the horizontal pipe. The back fixing plate must sit behind the top section of downspout. (figure 3)
5. Screw the Leaf Eater Advanced™ into position through the screw slots provided. Ensure appropriate screws and anchors (if required) are used. (figure 5)
6. Insert the Clean Shield™ screen into the Leaf Eater Advanced™. Ensure the Clean Shield™ screen is sitting firmly in place and check installation is secure. (figure 6)



ALL DIMENSIONS IN INCHES UNLESS OTHERWISE STATED.

Maintenance

The Clean Shield™ screen is mostly self cleaning. If cleaning is required simply lift the Clean Shield™ screen out by taking hold of the quick release tabs and pull the Clean Shield™ screen upwards and outwards, then hose or brush off.

DISCLAIMER This product specification is not a complete guide to product usage. Further information is available from Rain Harvesting Pty Ltd and from the Installation and Operating Instructions . This specification sheet must be read in conjunction with the Installation and Operating Instructions and all applicable statutory requirement. Product specifications may change without notice. © Rain Harvesting Pty Ltd