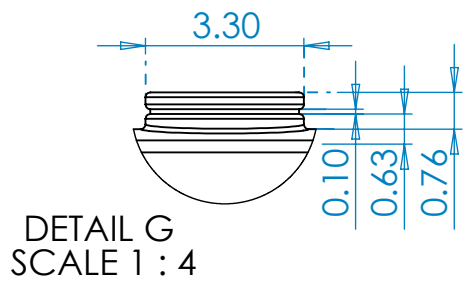
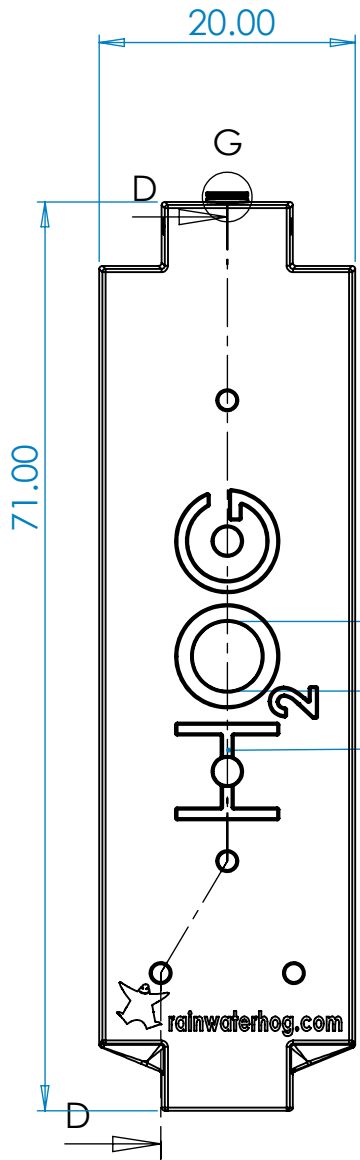
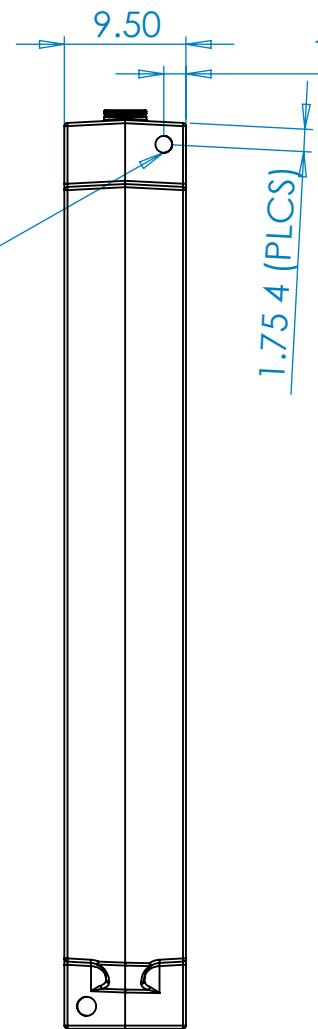


REV	ECN	DESCRIPTION	DRAWN	DATE
1	N/A	ENGR TOOLING RELEASE		4/3/08



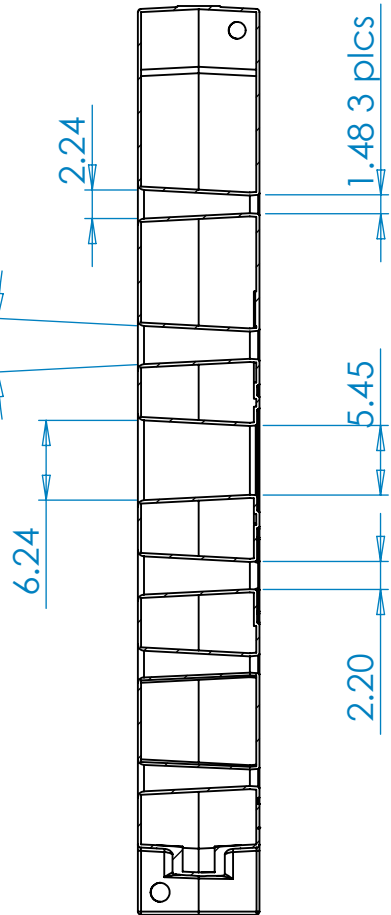
Logo  
8"x8" Letters  
0.875 Thick

1" NPT  
4 PLCS



1.74 (4 PLCS)

6° All through Holes



For dims less than 10"  
see standard roto tolerances

PROMENS NORTH AMERICA CLAIMS PROPRIETARY RIGHTS IN THE MATERIAL DISCLOSED HEREON. NEITHER THIS DRAWING NOR ANY PRODUCTION THEREOF MAY BE USED TO MANUFACTURE ANYTHING SHOWN HEREON WITHOUT PERMISSION IN WRITING FROM PROMENS NORTH AMERICA TO USER SPECIFICALLY REFERRING TO THIS DRAWING.

TOLERANCES	SIGNATURE	DATE
MOLDING ± .010 IN/IN	JMH	4-3-08
CNC TRIM ± .013 IN/IN		
ANGLES ± 4°	APPROVED	
WARP ± .020 IN/IN	DO NOT SCALE DRAWING	
WALL ± 20 %		

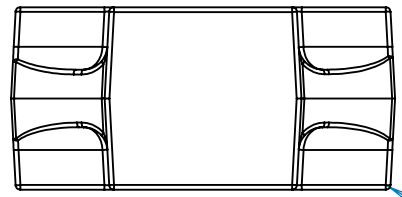
**PROMENS**  
**RIDGEFIELD**  
6111 SOUTH 6TH WAY  
RIDGEFIELD, WA 98642

TITLE: HOG WORKS, WATER HOG		REVISION <b>1</b>
SCALE: NTS	WALL: .XXX NOM.	PART NO. <b>HOGW0014JK</b>
		SHEET 1 OF 3

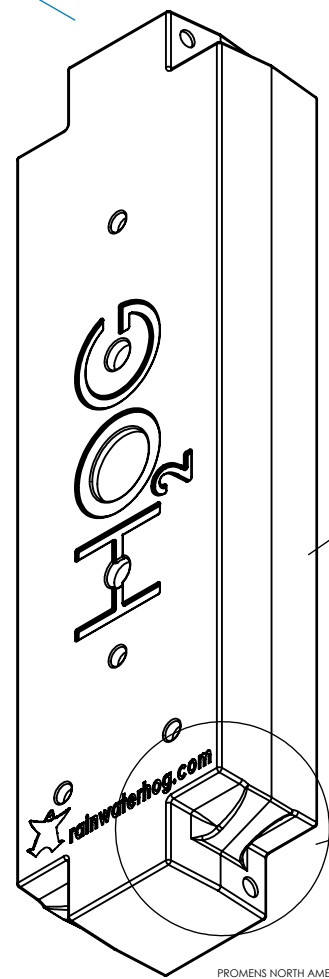
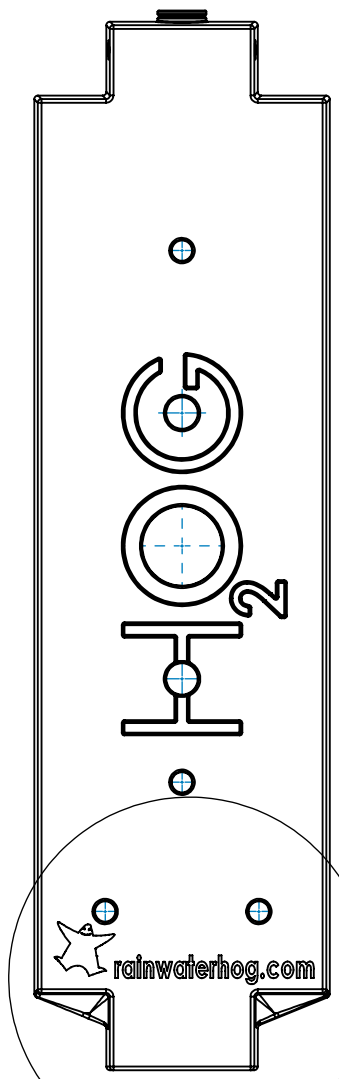
PART NO. **HOGW0014JK** REV **1**

REV	ECN	DESCRIPTION	DRAWN	DATE
1	N/A	TOOLING RELEASE		3-4-08

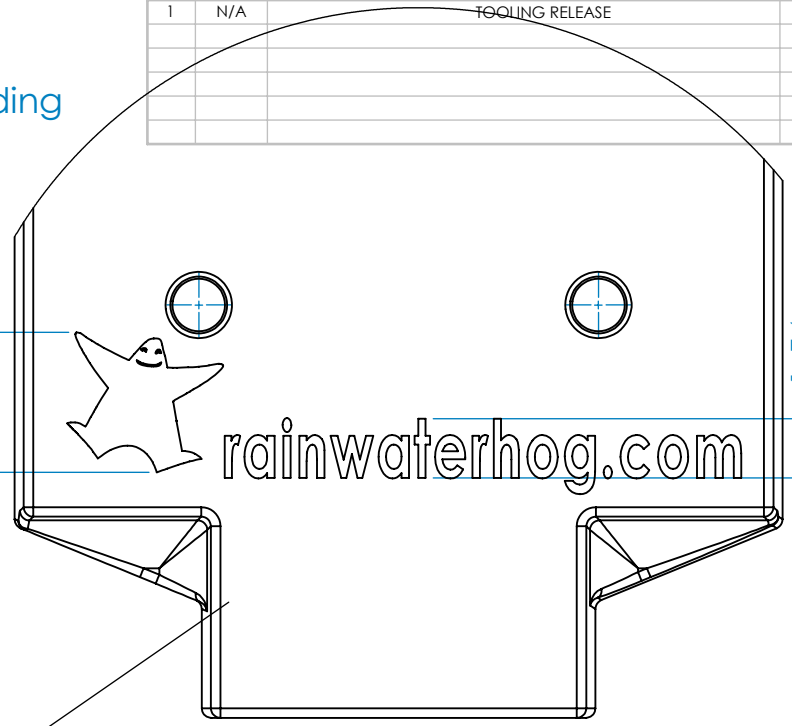
For Dims less than 10"  
see standard rotational molding  
Tolerance



R0.25 TYP

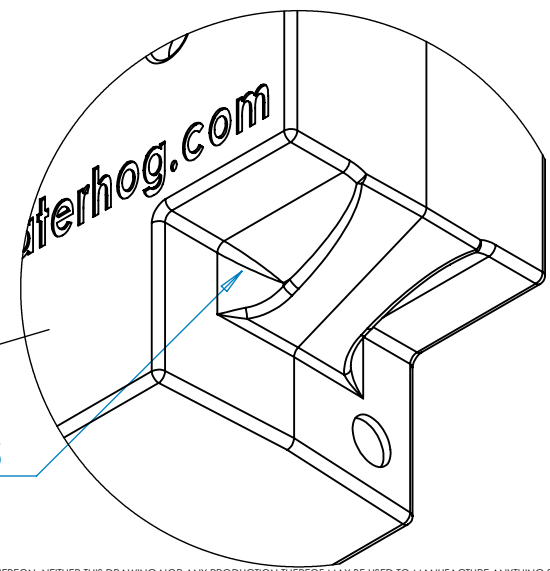


3.64



1.54

TRUE R1.25



PROMENS NORTH AMERICA CLAIMS PROPRIETARY RIGHTS IN THE MATERIAL DISCLOSED HEREON. NEITHER THIS DRAWING NOR ANY PRODUCTION THEREOF MAY BE USED TO MANUFACTURE ANYTHING SHOWN HEREON WITHOUT PERMISSION IN WRITING FROM PROMENS NORTH AMERICA TO USER SPECIFICALLY REFERRING TO THIS DRAWING.

TOLERANCES	SIGNATURE	DATE
MOLDING ± .010 IN/IN	JMH	4-3-08
CNC TRIM ± .013 IN/IN		
ANGLES ± 4°		
WARP ± .020 IN/IN	DO NOT SCALE DRAWING	
WALL ± 20 %		

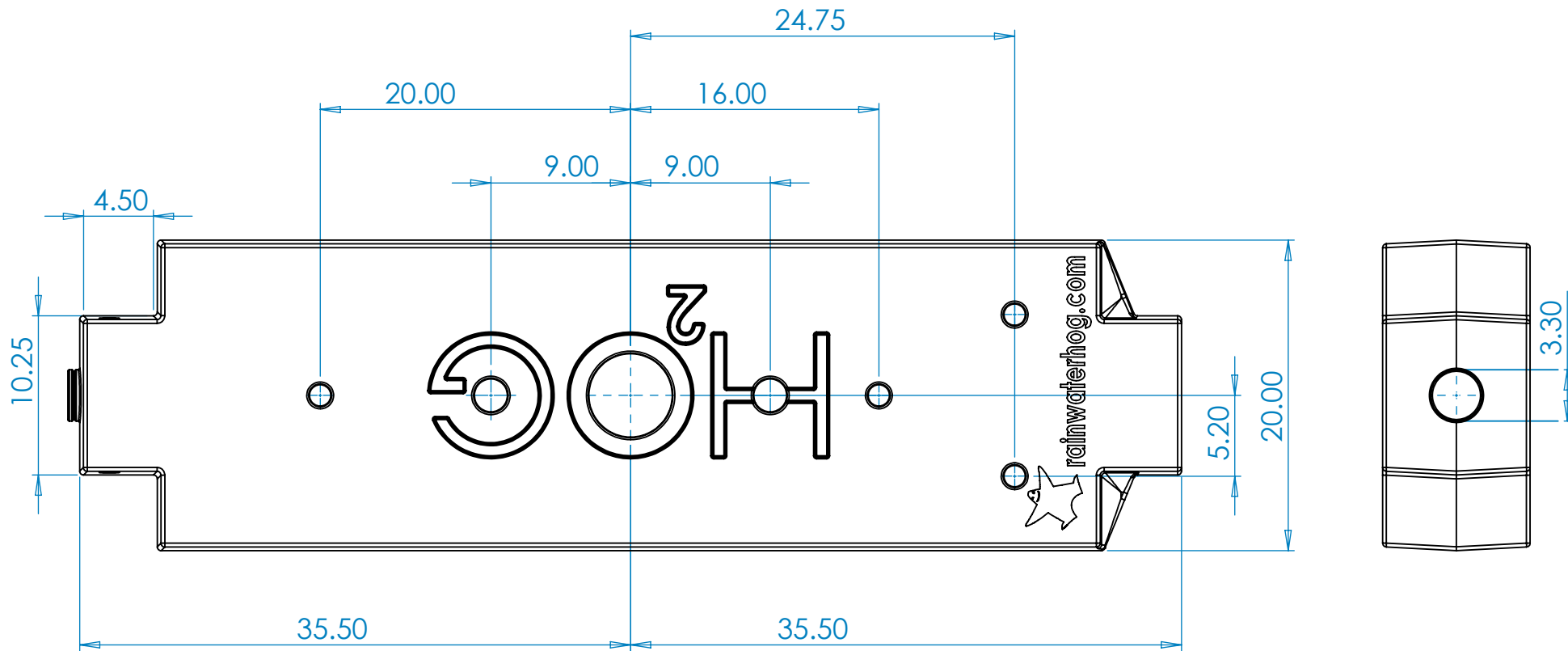
**PROMENS**  
RIDGEFIELD  
6111 SOUTH 6TH WAY  
RIDGEFIELD, WA 98642

TITLE:			REVISION
HOG WORKS, WATER HOG RAIN RECEPTACLE			<b>1</b>
SCALE: NTS	WALL: .XXX NOM.	PART NO. <b>HOGW0014JK</b>	SHEET 2 OF 3

PART NO.  
**HOGW0014JK**

REV  
**1**

REV	ECN	DESCRIPTION	DRAWN	DATE
1	N/A	TOOLING RELEASE		3-4-08



For dimensions less than 10 in. See standard Rotational Tolerances

PROMENS NORTH AMERICA CLAIMS PROPRIETARY RIGHTS IN THE MATERIAL DISCLOSED HEREON. NEITHER THIS DRAWING NOR ANY PRODUCTION THEREOF MAY BE USED TO MANUFACTURE ANYTHING SHOWN HEREON WITHOUT PERMISSION IN WRITING FROM PROMENS NORTH AMERICA TO USER SPECIFICALLY REFERRING TO THIS DRAWING.

TOLERANCES		SIGNATURE	DATE	TITLE:			REVISION
MOLDING	± .010 IN/IN	JMH	3-4-08	HOG WORKS WATER HOG RAIN RECEPTACLE			<b>1</b>
CNC TRIM	± .013 IN/IN						
ANGLES	± 4°	APPROVED		SCALE:	WALL:	PART NO.	SHEET
WARP	± .020 IN/IN	DO NOT SCALE DRAWING		NTS	.23	<b>HOGW0014JK</b>	3 OF 3
WALL	± 20 %						
				6111 SOUTH 6TH WAY RIDGEFIELD, WA 98642			